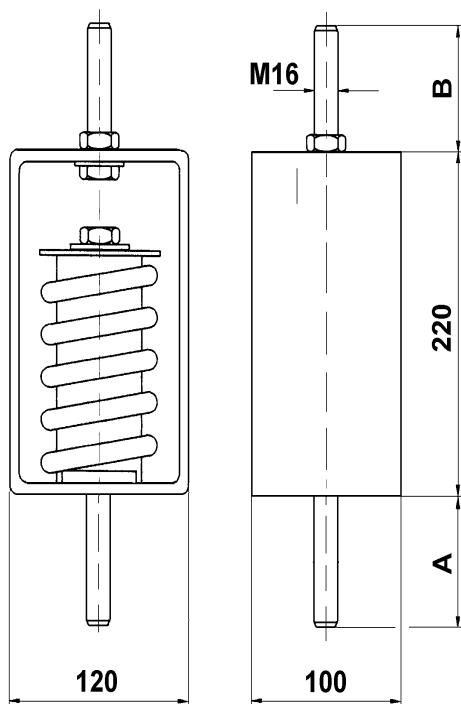


### Description

Single working all metal telescopic mount. Spring made of high tensile steel.  
Resilient element, cushion in stainless steel wire.  
Scrolls in aluminium.  
Other parts in mild steel

### Characteristics

Mounts with very low natural frequency, 3-4 Hz, depending on preload.  
Accepts both static and dynamic tension forces.  
Maximum excitation:  $\pm 1$  mm.  
Mechanical strength: 2 g.  
Amplification factor:  $< 8$ .  
Temperature range:  $-90^{\circ}\text{C}$  to  $+300^{\circ}\text{C}$



Ref.	Load range in daN ( $\approx$ kg)
VT4524-01	70 - 100
VT4524-02	95 - 130
VT4524-03	125 - 160
VT4524-04	160 - 230
VT4524-05	210 - 310
VT4524-06	300 - 420
VT4524-07	350 - 550

### Application

Isolation of exhaust-, air- and steam-pipes.  
Stabilisation of frames and equipment on vessels, vehicles etc.

Ref.	A	B	Weight (kg)
VT4524-01	100	120	4,2
VT4524-02	100	120	4,3
VT4524-03	100	120	4,4
VT4524-04	100	120	4,5
VT4524-05	100	120	4,6
VT4524-06	100	120	4,7
VT4524-07	100	120	4,8

### Note

For larger loads, see isolator VT4524-2X and VT4524-4X.

#### Norway

P.O. Box 765, N-3196 Horten, Norway  
Tel: +47 33 07 07 50 Fax: +47 33 07 00 68  
e-mail: apn@apn.no

#### Sweden

Norrund 1859, S-760 17 BLIDÖ, Sweden  
Tel: +46 176 20 78 80 Fax: +46 176 20 78 99  
e-mail: info@vibratec.se