

Spring packages 1 or 2 rows



ALL METAL ISOLATOR

Description

Springs in high tensile steel, resilient cushions of 18/8 stainless steel wire mesh, schrolls in aluminium, mounting plates in painted mild steel. Weight is depending of configuration where X is no. of springs, VT4422-X6 & VT4423-X6 ≈2,5 kg/springs, and ≈3 kg/spring for the VT4424-X7

Characteristics

Very soft isolators designed for loading in compression only.

Maximum excitation amplitude: ± 1 mm.

Mechanical strength: 2 g.

Natural frequency: VT4422-X6: 6-8 Hz

VT4423-X6: 5-6 Hz

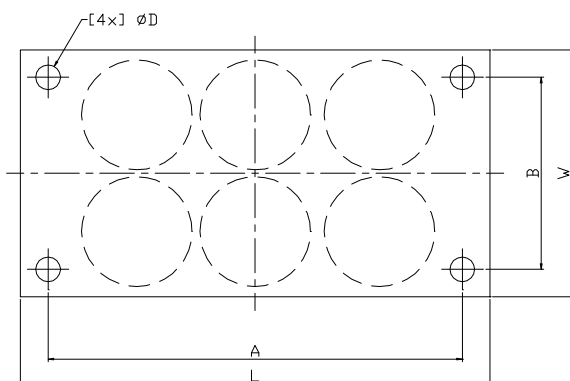
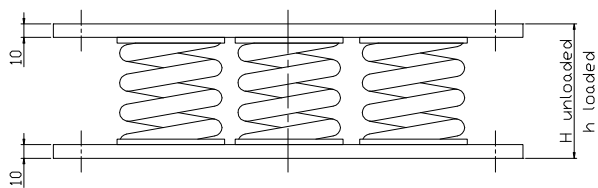
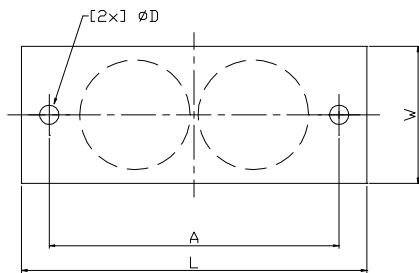
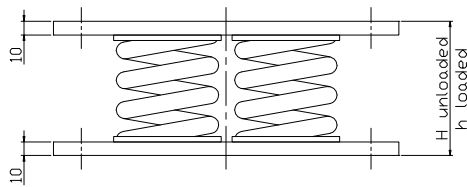
VT4424-X6: 3-4 Hz

Amplification factor: VT4422-X6: < 4

VT4423-X6: < 5

VT4424-X6: < 8

Temperature range: -90° to +300°C.



No of swprings	Load range in daN (≈ kg)		
	VT4422-X6	VT4423-X6	VT4424-X7
2 (1 row)	720 - 1120	620 - 840	700 - 1100
3 (1 row)	1080 - 1680	930 - 1260	1050 - 1650
4 (2 rows)	1440 - 2240	1240 - 1680	1400 - 2200
5 (2 rows)	1800 - 2800	1550 - 2100	1750 - 2750
6 (2 rows)	2160 - 3360	1860 - 2520	2100 - 3300

No of springs	Rows	L	W	Dimension						
				VT4422-X6 & VT4423-X6		VT4424-X7		A	B	ØD
				H	h	H	h			
2	1	250	100	110	100±2	160	140±5	210	-	13
3	1	330	100	110	100±2	160	140±5	290	-	13
4	2	235	200	110	100±2	160	140±5	195	140	18
5	2	300	200	110	100±2	160	140±5	240	140	18
6	2	340	200	110	100±2	160	140±5	340	140	18

Custom made solutions could be manufactured, e.g. with other dimensions, threaded holes, integrated movement limiters, leveling screws, etc.