

DMS 077 - 158



ELASTIC MOUNT

Description

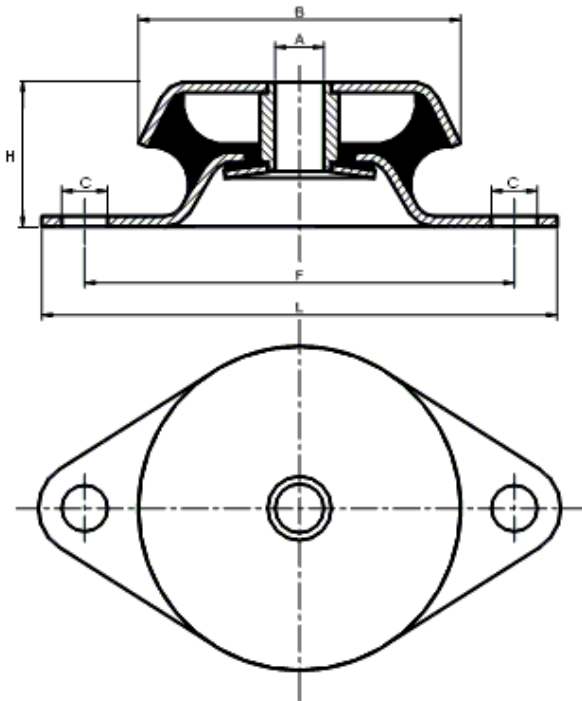
Resilient elements in natural rubber or neoprene (NBR) in shorer hardness 40 or 60 shore. Metal parts in zinc plated steel. Fitted with a mechanical stop.

Characteristics

A series of isolators with natural frequency 10-15 Hz for the recommended load range.

Dynamic factor: ca. 2.

Shear stiffness approx 1,15 x vertical stiffness.



| Ref. | Max. load in daN (≈ kg) | | Weight (kg) |
|---------------|-------------------------|-------|-------------|
| | 40 Sh | 60 Sh | |
| DMS 077 | 95 | 190 | 0,3 |
| DMS094 | 180 | 270 | 0,45 |
| DMS 108 | 250 | 450 | 0,7 |
| DMS 120 (NBR) | 400 | 600 | 0,9 |
| DMS 144 (NBR) | 750 | 1300 | 2,0 |
| DMS 158 (NBR) | 850 | 1500 | 2,1 |

Applications

Elastic suspension of compressors, motors, pumps, fans etc. on board ships and vehicles.

Dimensions

| Ref. | Shape | L | B | H | F | C | A |
|---------|-------|-----|-----|----|-----|----|-----|
| DMS 077 | ◇ | 128 | 77 | 30 | 110 | 9 | M10 |
| DMS 094 | ◇ | 144 | 94 | 35 | 124 | 10 | M10 |
| DMS 108 | ◇ | 172 | 108 | 38 | 144 | 14 | M16 |
| DMS 120 | ◇ | 185 | 120 | 43 | 160 | 14 | M16 |
| DMS 144 | ◇ | 210 | 144 | 49 | 182 | 14 | M16 |
| DMS 158 | □ | 170 | 158 | 58 | 140 | 14 | M20 |

