

Series A16

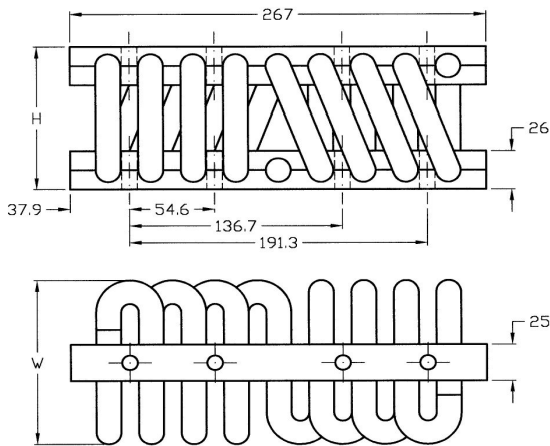


APN CABLE MOUNTS

Combined all-metal multidirectional antivibration and anti-shock mounts

- No aging
- Corrosion resistant
- High inherent damping
- Very low amplification at resonance
- Severe shock attenuation
- Wide temperature range (-180°C to +300°C)
- Maintenance free

Series A16 - Standard Series - Dimensions Pressed Design



The number of wire rope loops can be less than 10, f.inst. 4, 6 or 8, where at the load range is correspondingly reduced.

Cable mount type number	Height (H) (mm)	Width (W) (mm)	Mass (kg)
A160267-127	127	165	4,3
A160267-109	109	135	3,6
A160267-100	100	120	3,3
A160267-096	96	112	3,1
A160267-089	89	102	2,9

FIXTURE HOLES	Upper bar	Through holes 11 mm	Through holes, countersunk	Inserts M10
	Lower bar			
Through holes 11 mm		II	IY	IM
Through holes, countersunk		IY	YY	YM
Inserts M10		IM	YM	MM

Each cable mount has six alternative configurations with regard to fixture holes (ref. table to the left). When ordering, make your choice and add the required hole configuration code to the type number.

Example:
A160267-127-YY

Typical Applications:

- ▶ Resilient Suspensions meeting Military Standards
- ▶ Isolation of Sensitive Electronic Equipment
- ▶ Isolation of Generators, Pumps and Compressors
- ▶ Exhaust System Suspension
- ▶ Isolation of Cabinets, Containers, etc.
- ▶ Protection of Equipment during Transport
- ▶ Extreme Temperature Applications

Load mode: **Compression**

Typical load range: 150 - 675 kg

Cable mount type number	Rated load at 10 Hz (kg)	Max. static load (kg)	Max. dyn. travel (mm)
A160267-127	170	360	67
A160267-109	283	486	50
A160267-100	385	582	42
A160267-096	455	647	39
A160267-089	585	747	32

Load mode: **45° Compression/roll**

Typical load range: 85 - 400 kg

Cable mount type number	Rated load at 10 Hz (kg)	Max. static load (kg)	Max. dyn. travel (mm)
A160267-127	100	254	94
A160267-109	167	344	71
A160267-100	228	411	60
A160267-096	269	458	55
A160267-089	346	528	46

Load mode: **Shear and roll**

Typical load range: 25 - 175 kg

Cable mount type number	Rated load at 12 Hz (kg)	Max. static load (kg)	Max. dyn. travel (mm)
A160267-127	27	170	70
A160267-109	45	230	53
A160267-100	62	275	44
A160267-096	73	306	41
A160267-089	94	353	34

Sweden
Tel: +46 176 20 78 80
e-mail: info@vibratec.se

Norway
Tel: +47 33 07 07 50
e-mail: info@vibratec.no

Denmark
Tel: +45 49 13 22 44
e-mail: info@vibratec.dk

Estonia
Tel: +372 56 66 29 93
e-mail: info@vibratec.ee