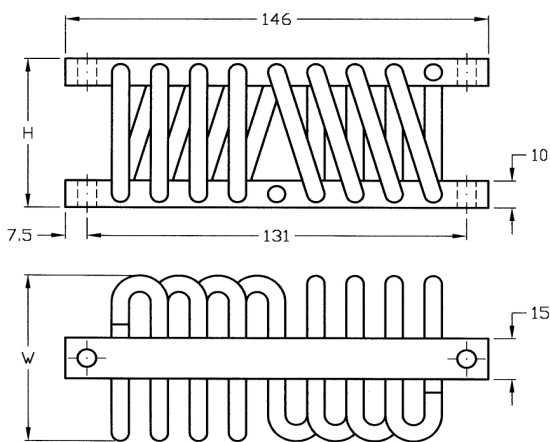




Series A06 - Standard Series - Dimensions Pressed Design



The number of wire rope loops can be less than 10, f.inst. 4, 6 or 8, where at the load range is correspondingly reduced.

Cable mount type number	Height (H) (mm)	Width (W) (mm)	Mass (kg)
A060146-063	63	95	0,37
A060146-059	59	80	0,33
A060146-055	55	71	0,31
A060146-050	50	63	0,28
A060164-044	44	56	0,26

FIXTURE HOLES	Upper bar	Through holes 6,5 mm	Through holes, countersunk	Inserts M6
	Lower bar			
Through holes 6,5 mm		II	IY	IM
Through holes, countersunk		IY	YY	YM
Inserts M6		IM	YM	MM

Each cable mount has six alternative configurations with regard to fixture holes (ref. table to the left). When ordering, make your choice and add the required hole configuration code to the type number.

**Example:**  
A060146-063-YY

### APN CABLE MOUNTS

Combined all-metal multidirectional antivibration and anti-shock mounts

- No aging
- Corrosion resistant
- High inherent damping
- Very low amplification at resonance
- Severe shock attenuation
- Wide temperature range (-180°C to +300°C)
- Maintenance free

### Typical Applications:

- ▶ Resilient Suspensions meeting Military Standards
- ▶ Isolation of Sensitive Electronic Equipment
- ▶ Isolation of Generators, Pumps and Compressors
- ▶ Exhaust System Suspension
- ▶ Isolation of Cabinets, Containers, etc.
- ▶ Protection of Equipment during Transport
- ▶ Extreme Temperature Applications

#### Load mode: **Compression**

Typical load range: 30 - 110 kg

Cable mount type number	Rated load at 10 Hz (kg)	Max. static load (kg)	Max. dyn. travel (mm)
A060146-063	36	49	36
A060146-059	50	63	32
A060146-055	64	76	29
A060146-050	85	91	24
A060164-044	118	118	18

#### Load mode: 45° **Compression/roll**

Typical load range: 15 - 70 kg

Cable mount type number	Rated load at 10 Hz (kg)	Max. static load (kg)	Max. dyn. travel (mm)
A060146-063	21	35	51
A060146-059	30	45	46
A060146-055	38	54	40
A060146-050	50	64	34
A060164-044	70	76	26

#### Load mode: **Shear and roll**

Typical load range: 4 - 20 kg

Cable mount type number	Rated load at 12 Hz (kg)	Max. static load (kg)	Max. dyn. travel (mm)
A060146-063	6	21	38
A060146-059	8	27	34
A060146-055	10	32	30
A060146-050	14	38	25
A060164-044	19	46	19

Sweden  
 Tel: +46 176 20 78 80  
 e-mail: [info@vibratec.se](mailto:info@vibratec.se)

Norway  
 Tel: +47 33 07 07 50  
 e-mail: [info@vibratec.no](mailto:info@vibratec.no)

Denmark  
 Tel: +45 49 13 22 44  
 e-mail: [info@vibratec.dk](mailto:info@vibratec.dk)

Estonia  
 Tel: +372 56 66 29 93  
 e-mail: [info@vibratec.ee](mailto:info@vibratec.ee)