

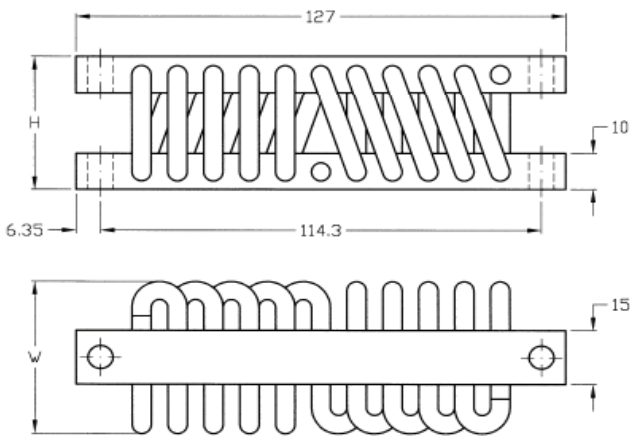


APN CABLE MOUNTS

Combined all-metal multidirectional antivibration and anti-shock mounts

- No aging
- Corrosion resistant
- High inherent damping
- Very low amplification at resonance
- Severe shock attenuation
- Wide temperature range (-180°C to +300°C)
- Maintenance free

Series A05 - Standard Series - Dimensions Pressed Design



The number of wire rope loops can be less than 10, f.inst. 4, 6 or 8, where at the load range is correspondingly reduced.

Cable mount type number	Height (H) (mm)	Width (W) (mm)	Mass (kg)
A050127-057	57	80	0,30
A050127-051	51	58	0,26
A050127-044	44	49	0,23
A050127-039	39	44	0,22
A050127-034	34	39	0,20

Upper bar	Through holes 6.5 mm	Through holes, countersunk	Inserts M6
Lower bar			
Through holes 6.5 mm	II	IY	IM
Through holes, countersunk	IY	YY	YM
Inserts M6	IM	YM	MM

Each cable mount has six alternative configurations with regard to fixture holes (ref. table to the left). When ordering, make your choice and add the required hole configuration code to the type number.

Example:
A050127-057-YY

Typical Applications:

- ▶ Resilient Suspensions meeting Military Standards
- ▶ Isolation of Sensitive Electronic Equipment
- ▶ Isolation of Generators, Pumps and Compressors
- ▶ Exhaust System Suspension
- ▶ Isolation of Cabinets, Containers, etc.
- ▶ Protection of Equipment during Transport
- ▶ Extreme Temperature Applications

Load mode: **Compression**

Typical load range: 15 - 80 kg

Cable mount type number	Rated load at 10 Hz (kg)	Max. static load (kg)	Max. dyn. travel (mm)
A050127-057	20	26	32
A050127-051	36	42	27
A050127-044	56	56	21
A050127-039	70 (11 Hz)	70	16
A050127-034	84 (13 Hz)	84	12

Load mode: 45° **Compression/roll**

Typical load range: 10 - 55 kg

Cable mount type number	Rated load at 10 Hz (kg)	Max. static load (kg)	Max. dyn. travel (mm)
A050127-057	12	18	46
A050127-051	21	30	38
A050127-044	33	39	29
A050127-039	45	47	23
A050127-034	59 (11 Hz)	59	17

Load mode: **Shear and roll**

Typical load range: 2 - 15 kg

Cable mount type number	Rated load at 10 Hz (kg)	Max. static load (kg)	Max. dyn. travel (mm)
A050127-057	3	11	34
A050127-051	6	18	28
A050127-044	9	23	22
A050127-039	14	28	17
A050127-034	23	35	12

Sweden
 Tel: +46 176 20 78 80
 e-mail: info@vibratec.se

Norway
 Tel: +47 33 07 07 50
 e-mail: info@vibratec.no

Denmark
 Tel: +45 49 13 22 44
 e-mail: info@vibratec.dk

Estonia
 Tel: +372 56 66 29 93
 e-mail: info@vibratec.ee