

M 7 – M 1500



Heavy Duty Rubber Isolator

Description

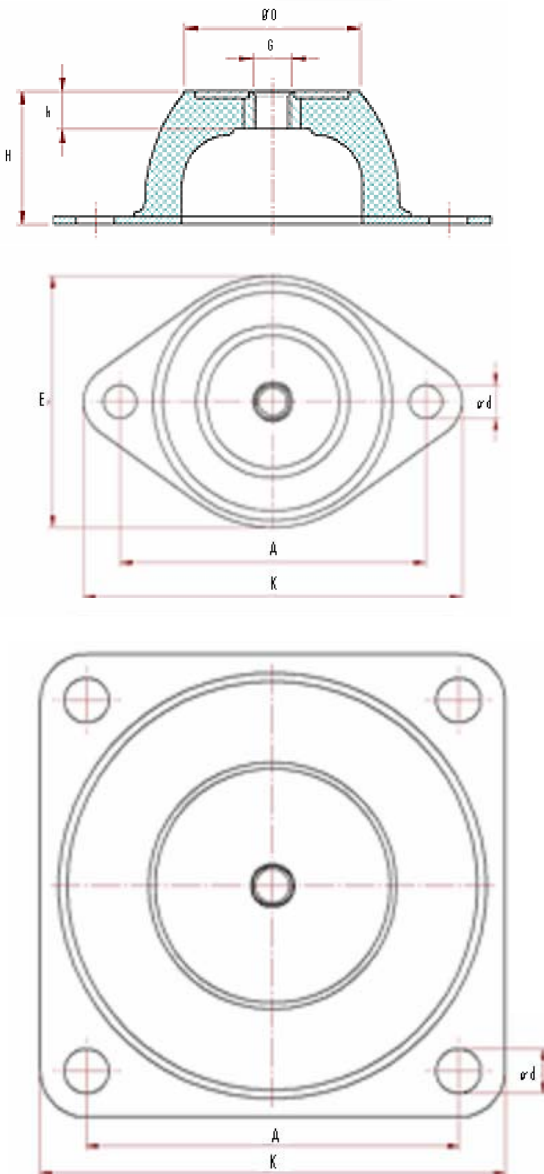
Low frequency rubber isolator primarily for vibration isolation of rotating machinery. The design allows for large deflection resulting in a low resonance frequency and effective vibration isolation. May also provide protection against small impacts. For shock mounts see the range of Wire Rope Isolators A01 – A22.

Characteristics

Natural frequency: 8-12 Hz (The larger variants have lower natural frequency due to larger deflection).
Amplification factor: 3-4.

Applications

Suspension of compressors, AC-units, fans, pumps and other rotation machinery, electronic equipment etc.



	Load Range (kg)		Max static deflection (mm)
	40°	60°	
M 7	1,4 - 3,5	3,5 - 9	3
M 25	10 - 20	20 - 50	4
M 50	15 - 40	35 - 80	8
M 100	25 - 70	60 - 150	10
M 200	50 - 130	100 - 220	8
M 400	110 - 280	200 - 500	13
M 600	150 - 380	300 - 750	17
M 1500	400 - 1400	800 - 2500	48

Type	D	E	A	K	H	h	d	G
M 7	18	43	50	64	20	7	7,0	M 6
M 25	33	46	66	85	25	11	8,0	M 8
M 50	45	76	92	114	35	14	10,0	M 10
M 100	53	96	110	136	40	15	11,5	M 10
M 200	58	101	124	151	45	13	11,5	M 10
M 400	70	-	120	150	63	18	14,5	M 12
M 600	100	-	160	200	85	25	14,5	M 16
M 1500	186	-	250	310	160	43	18,0	M 24

The isolator can also be manufactured in AISI 316L