



Silencer

Description

Recommended for silencing the exhausts of small and medium sized diesel and petrol engines. The DSA have twin chambers and provides 25 dB(A) attenuation, and the DDA have triple chambers and provides 30dB(A) attenuation.

Connections: 1,5" to 3", B:S:P: nipple connection 3,5" and larger, flanges acc.to BS10 Table D

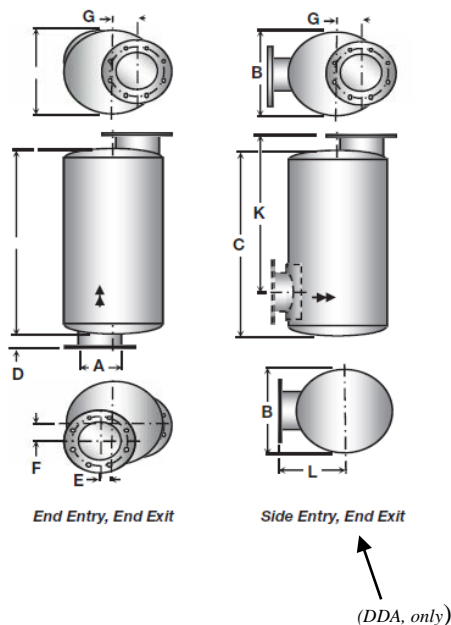
Finish; heat resistant paint.

Options

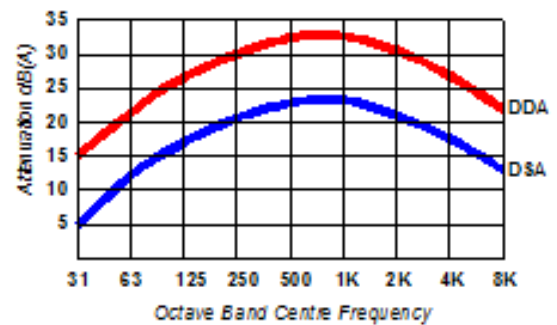
Material; mild Steel, Cor-Ten, stainless Steel Grades 304L, 316L & 409.

Alternative configurations, mating flange assemblies, lifting lugs, support feet horizontal & vertical.

DDA Dimension Reference Diagram



Typical Attenuation Curve



Dimensions

| Connections | B.S.P. Nipple Connections | A | B | C | | D | E | F | G | H | Weight | | |
|-------------|---------------------------|-------------|-----|------|------|-----|-----|-----|-----|-----|--------|-----|-----|
| | | DN (inch) | mm | mm | mm | mm | mm | mm | mm | mm | mm | kg | kg |
| | | | | DSA | DDA | | | | | | | DSA | DDA |
| | 25 (1.0") | 89 | 255 | 380 | 16 | - | 13 | 15 | 7 | 1 | 2 | | |
| | 38 (1.5") | 115 | 380 | 560 | 30 | - | 21 | 24 | 12 | 3 | 4 | | |
| | 50 (2.0") | 152 | 510 | 765 | 35 | - | 27 | 30 | 14 | 5 | 8 | | |
| | 65 (2.5") | 178 | 610 | 889 | 38 | - | 33 | 38 | 19 | 7 | 12 | | |
| | 75 (3.0") | 206 | 735 | 1015 | 48 | - | 40 | 46 | 22 | 12 | 15 | | |
| | | | DSA | DDA | | | | | | DSA | DDA | | |
| | BS10 Table D | 90 (3.5") | 259 | 735 | 1015 | 75 | 205 | 45 | 51 | - | 21 | 27 | |
| | | 100 (4.0") | 285 | 890 | 1220 | 75 | 215 | 52 | 60 | - | 28 | 37 | |
| | | 125 (5.0") | 356 | 890 | 1200 | 75 | 255 | 65 | 75 | - | 33 | 50 | |
| | | 150 (6.0") | 412 | 1015 | 1500 | 75 | 280 | 78 | 90 | - | 55 | 70 | |
| | | 175 (7.0") | 452 | 1180 | 1600 | 75 | 305 | 89 | 102 | - | 60 | 80 | |
| | BS10 Table D | 200 (8.0") | 520 | 1350 | 1810 | 75 | 330 | 104 | 115 | - | 75 | 100 | |
| | | 250 (10.0") | 620 | 1750 | 2360 | 75 | 380 | 125 | 145 | - | 170 | 230 | |
| | | 300 (12.0") | 730 | 2220 | 2800 | 100 | 460 | 147 | 175 | - | 228 | 305 | |

All dimensions in mm unless otherwise stated

Norway

P.O. Box 765, N-3196 Horten, Norway
Tel: +47 33 07 07 50 Fax: +47 33 07 00 68
e-mail: apn@apn.no

Sweden

Norrund 1859, S-760 17 BLIDÖ, Sweden
Tel: +46 176 20 78 80 Fax: +46 176 20 78 99
e-mail: info@vibratec.se